



Rubinerterre Italiane Velatta SpA

— since 1950 —

» **YOU need the BEST**

**LOCK**  **ALL**®

PROFESSIONAL

Series



Rubinerterie Italiane Velatta SpA  
since 1950

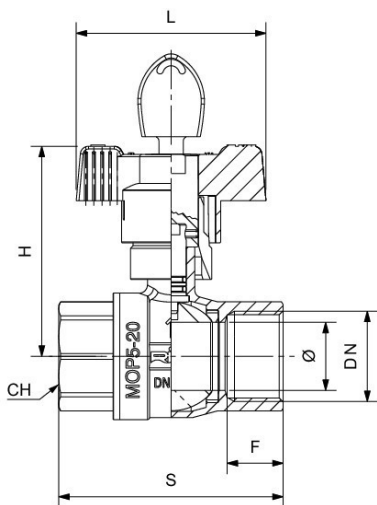
» YOU need the BEST



### RIV 5000

Ball valve F/F  
with key safety locking device  
full bore  
aluminium butterfly handle

### » Tech drawings and tables



DN	Code	Ø	H	S	L	F	PN	KG	P/box
1/2"	025000000004	15	74	59	70	17	64	0,346	5
3/4"	025000000005	20	80	69	70	18	40	0,459	5
1"	025000000007	25	83	83	70	22	40	0,702	5

### » Approvals



» RIV Rubinerterie Italiane Velatta S.p.A  
Via delle Acacie 8 Zona Industriale D4  
P. O.Box 64  
28075 GRIGNASCO (NO) ITALY  
Tel +39 0163 4151  
Fax +39 0163 411914

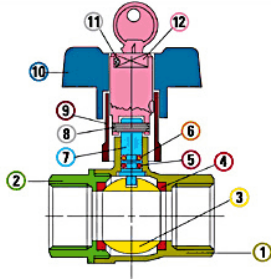
» Capitale sociale € 516.000 i.v.  
Reg. Imprese di Novara N° 00469610026  
R.E.A. di Novara N° 170397  
Numero Meccanografico N0009263  
Codice Fiscale 00469610026  
Partita IVA IT01399720034

» E-mail riv-vg@riv-vg.com  
vendite.italia@riv-vg.com  
export.sales@riv-vg.com  
Web www.riv-vg.com



» Technical data

Art. 5000



Materials				
1	Body	Brass	CW617N	Nickel-plated
2	Body end	Brass	CW617N	Nickel-plated
3	Ball	Brass	CW617N	Chrome-plated
4	Seats	P.T.F.E.		
5	O-Ring	FKM		
6	O-Ring	NBR		
7	Stem	Brass	CW614N	
8	Elastic pin	Steel		
9	Screwed ring	Brass	CW617N	Nickel-plated
10	Butterfly handle	Aluminium		Red
11	Elastic pin	Steel		
12	Locking device	Zamak		

Connections	EN 10226 Rp (parallel)
Limit	-20°C (without liquid) +150°C
Notes	The max.working pressure (PN) means at a room temperature of about 23°C.



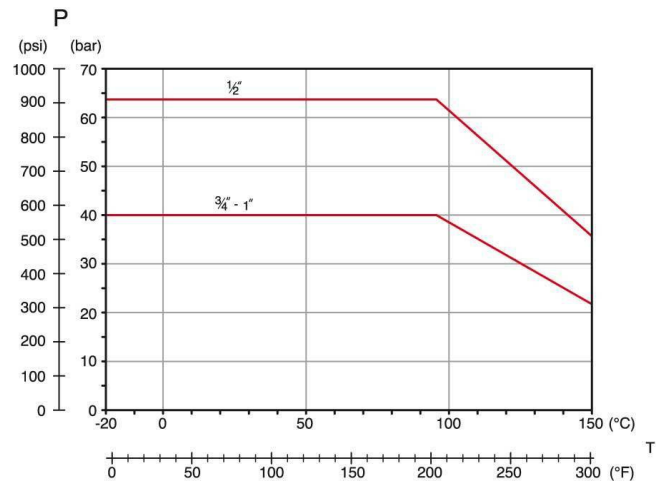
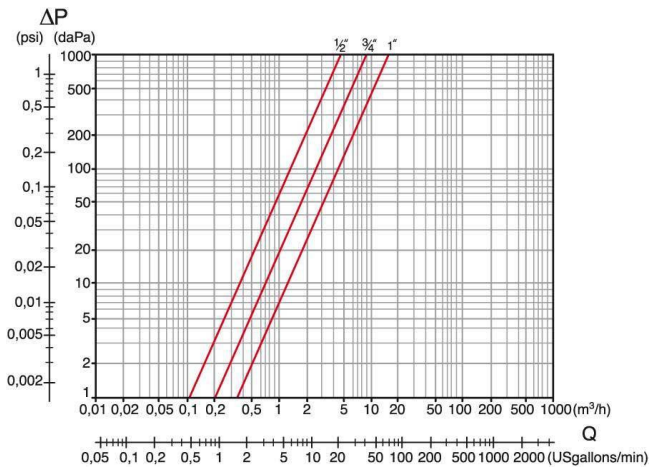
Rubinerterie Italiane Velatta SpA  
since 1950

» YOU need the BEST



» Pressure Loss Chart

» Temperature/Pressure



» Kv & Cv Coefficients

Size	Kv	Cv
1/2"	15,5	17,9
3/4"	31,0	36,0
1"	52,0	60,0

» RIV Rubinerterie Italiane Velatta S.p.A  
Via delle Acacie 8 Zona Industriale D4  
P.O.Box 64  
28075 GRIGNASCO (NO) ITALY  
Tel +39 0163 4151  
Fax +39 0163 411914

» Capitale sociale € 516.000 i.v.  
Reg. Imprese di Novara N° 00469610026  
R.E.A. di Novara N° 170397  
Numero Meccanografico N0009263  
Codice Fiscale 00469610026  
Partita IVA IT01399720034

» E-mail riv-vg@riv-vg.com  
vendite.italia@riv-vg.com  
export.sales@riv-vg.com  
Web www.riv-vg.com

